

USING THE STOPWATCH

Press button B to START/STOP
Press button A to RESET dials 1 and 2

RESETTING THE STOPWATCH

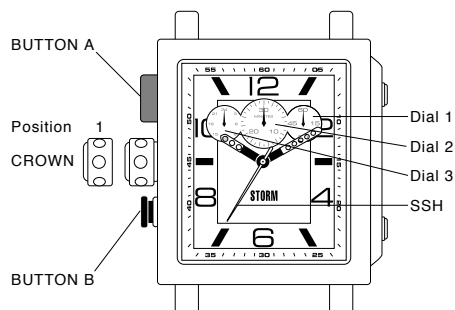
If the Stopwatch hands (dial 1 and 2) do not line up to "12 o'clock" position.
Pull the crown out to position 1
Press and hold button B to quick advance both hands forward until just before the minute hand reaches the "12 o'clock" position
Press button B repeatedly to slow advance hands until both are aligned at the "12 o'clock" position.



STORM

LONDON

ROQUE



Button A Reset
Button B Stop/Start/Advance

Dial 1	Chronograph	SECONDS
Dial 2	Chronograph	MINUTES
Dial 3	Standard	24 HOUR
SSH	Standard	SECOND HAND

FUNCTIONS AND FEATURES

- STOPWATCH. (Measure up to 30mins)
- 24HR INDICATOR
- LUMINOUS HANDS AND MARKERS
- WATER RESISTANT 50M/5ATM
- LITE WEIGHT

SETTING THE TIME

Pull the crown out to position 1.
The standard second hand will stop.
Turn the crown to set the hour and minute hands.
When desired time is set, press the crown back to start position to activate the movement.

NB

The 24HR hand in dial 3 is synchronised and will turn automatically with the standard time.